

IEEE

PHOTONICS TECHNOLOGY LETTERS

A PUBLICATION OF THE IEEE PHOTONICS SOCIETY



This Print Collection Contains the Following Issues:

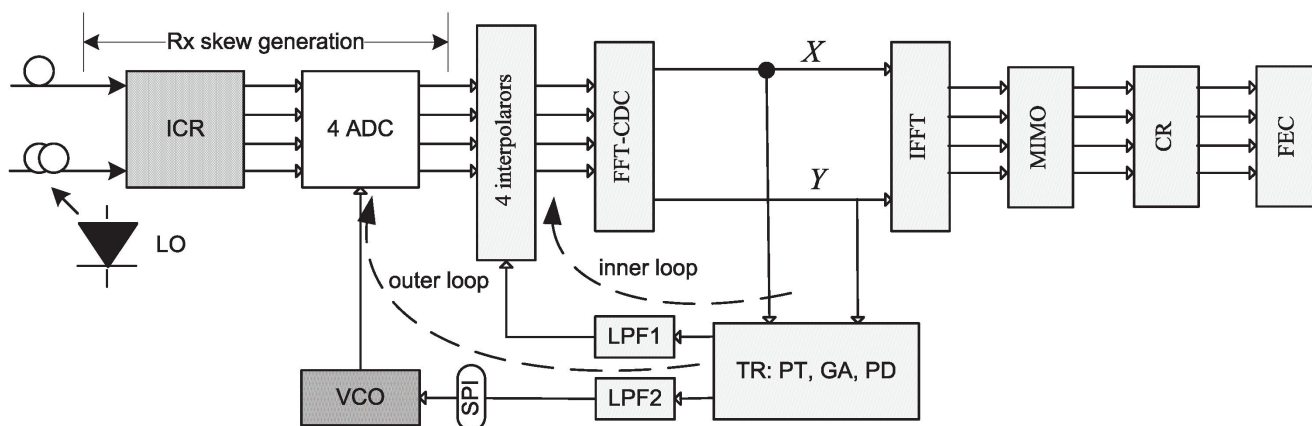
JANUARY 1, 2016
JANUARY 15, 2016
FEBRUARY 1, 2016
FEBRUARY 15, 2016

VOLUME 28
VOLUME 28
VOLUME 28
VOLUME 28

NUMBER 1
NUMBER 2
NUMBER 3
NUMBER 4

IPTLEL

(ISSN 1041-1135)



Utilizing digital signal processing to mitigate for skew in photonic components, with the figure above schematically indicating the signal flow for estimation and compensation in the digital coherent receiver, as seen in "An Efficient Method for Skew Estimation and Compensation in Coherent Receivers," by N. Stojanovic and X. Changsong, p. 489.

For the January 1, 2016 issue, see p. 1 for Table of Contents
For the January 15, 2016 issue, see p. 109 for Table of Contents
For the February 1, 2016 issue, see p. 223 for Table of Contents
For the February 15, 2016 issue, see p. 377 for Table of Contents

IEEE

PHOTONICS TECHNOLOGY LETTERS

JANUARY 1, 2016

VOLUME 28

NUMBER 1

IPTLEL

(ISSN 1041-1135)

<i>Active Photonic Devices</i>	
Performance of InGaN/AlGaInN Near-UV LEDs With Ni/Ga ₂ O ₃ /Ag/Ga ₂ O ₃ Electrode	67
..... K. Y. Woo, K. H. Kim, and T. G. Kim	
Graphene Mode-Locked Fiber Laser at 2.8 μm	7
..... G. Zhu, X. Zhu, F. Wang, S. Xu, Y. Li, X. Guo, K. Balakrishnan, R. A. Norwood, and N. Peyghambarian	
Impact of Sampling Source Repetition Frequency in Linear Optical Sampling	15
..... J. Song, S. Fu, B. Liu, M. Tang, P. Shum, and D. Liu	
A GaN Nanowire-Based Photodetector With Ag Nanowires as Transparent Electrodes	23
..... Y. Liu, P. Sun, and X. Meng	
Adjustable Tilt Angle of Liquid Microlens With Four Coplanar Electrodes	79
..... S. Seo, Y. Park, C.-J. Park, and J. H. Lee	
<i>Passive Devices and Waveguides</i>	
Silicon Slot Waveguides With Low Transmission and Bending Losses at 1064 nm	19
..... X. Li, X. Feng, X. Xiao, Y. Li, K. Cui, F. Liu, and Y. Huang	
Wavelength-Dependence of Inter-Core Crosstalk in Homogeneous Multi-Core Fibers	27
..... F. Ye, J. Tu, K. Saitoh, K. Takenaga, S. Matsuo, H. Takara, and T. Morioka	
Orbital Angular Momentum-Controlled Tunable Directional Plasmonic Coupler	91
..... T. Liu and S. Wang	
<i>Photonic Materials and Fabrication Technology</i>	
UV Enhanced Field Emission Properties of ZnO Nanosheets Grown on a Si Substrate	63
..... S.-J. Young and L.-T. Lai	

(Contents Continued on Page 2)

IEEE PHOTONICS TECHNOLOGY LETTERS (ISSN 1041-1135) is published semimonthly by the Institute of Electrical and Electronics Engineers, Inc. Responsibility for the contents rests upon the authors and not upon the IEEE, the Society/Council, or its members. **IEEE Corporate Office:** 3 Park Avenue, 17th Floor, New York, NY 10016-5997. **IEEE Operations Center:** 445 Hoes Lane, Piscataway, NJ 08854-4141. **NJ Telephone:** +1 732 981 0060. **Price/Publication Information:** Individual copies: IEEE Members \$20.00 (first copy only), nonmembers \$367.00 per copy. (Note: Postage and handling charge not included.) Member and nonmember subscription prices available upon request. Available in microfiche and microfilm. **Copyright and Reprint Permissions:** Abstracting is permitted with credit to the source. Libraries are permitted to photocopy for private use of patrons, provided the per-copy fee of \$31.00 is paid through the Copyright Clearance Center, 222 Rosewood Drive, Danvers, MA 01923. For all other copying, reprint, or republication permission, write to Copyrights and Permissions Department, IEEE Publications Administration, 445 Hoes Lane, Piscataway, NJ 08854-4141. Copyright © 2016 by the Institute of Electrical and Electronics Engineers, Inc. All rights reserved. **Postmaster:** Send address changes to IEEE PHOTONICS TECHNOLOGY LETTERS, IEEE, 445 Hoes Lane, Piscataway, NJ 08854-4141. GST Registration No. 125634188. CPC Sales Agreement #40013087. Return undeliverable Canada addresses to: Pitney Bowes IMEX, P.O. Box 4332, Stanton Rd., Toronto, ON M5W 3J4, Canada. IEEE prohibits discrimination, harassment and bullying. For more information visit <http://www.ieee.org/nondiscrimination>. Printed in U.S.A.

<i>Optical Sensors and Measurement Systems</i>	
Micrometer Wire Assisted Inline Mach–Zehnder Interferometric Curvature Sensor	S. Dass and R. Jha 31
Highly Sensitive Plasmonic Photonic Crystal Temperature Sensor Filled With Liquid Crystal	M. F. O. Hameed, M. Y. Azab, A. M. Heikal, S. M. El-Hefnawy, and S. S. A. Obayya 59
Wavelength-Interrogation Fabry–Perot Refractive Index Sensor Based on a Sealed In-Fiber Cavity	T. Wang, Y. Ge, J. Chang, and M. Wang 3
Optofluidic Photonic Crystal Fiber Coupler for Measuring the Refractive Index of Liquids	H. Wei, Y. Zhu, and S. Krishnaswamy 103
Mach–Zehnder Interferometer Based on Interference of Selective High-Order Core Modes	B. Wang, W. Zhang, Z. Bai, L. Zhang, T. Yan, L. Chen, and Q. Zhou 71
Sapphire Fiber Optical Hydrogen Sensors for High-Temperature Environments	A. Yan, R. Chen, M. Zaghloul, Z. L. Poole, P. Ohodnicki, and K. P. Chen 47
Visible-Blind APD Heterostructure Design With Superior Field Confinement and Low Operating Voltage	J. Bulmer, P. Suvarna, J. Leathersich, J. Marini, I. Mahaboob, N. Newman, and F. Shahedipour-Sandvik 39
A Compact and Stable Temperature Sensor Based on a Gourd-Shaped Microfiber	P. Xian, G. Feng, and S. Zhou 95
<i>Photonic Subsystems (optical, digital, RF, and THz)</i>	
Agile High-Q RF Photonic Zooming Filter	A. Savchenkov, V. Ilchenko, E. Dale, D. Seidel, A. Matsko, and L. Maleki 43
Tunable Single Bandpass Microwave Photonic Filter With an Improved Dynamic Range	X. Han, E. Xu, and J. Yao 11
Self-Started Mode-Locking With Dispersion-Imbalanced Nonlinear Amplifier Loop	Q. Hao, F. Chen, K. Yang, X. Zhu, Q. Zhang, and H. Zeng 87
A Geiger-Mode APD Photon Counting System With Adjustable Dead-Time and Interchangeable Detector	S. Deng, D. Gordon, and A. P. Morrison 99
<i>Free Space Transmission Systems (optical, RF, and THz)</i>	
FSO Detection Using Differential Signaling in Outdoor Correlated-Channels Condition	M. Mansour Abadi, Z. Ghassemlooy, M.-A. Khalighi, S. Zvanovec, and M. R. Bhatnagar 55
Non-Orthogonal Multiple Access for Visible Light Communications	H. Marshoud, V. M. Kapinas, G. K. Karagiannidis, and S. Muhaidat 51
<i>Optical Fiber Networks and Transmission Systems</i>	
Dual Polarization Coherent Optical Spectrally Efficient Frequency Division Multiplexing	D. Nopchinda, T. Xu, R. Maher, B. C. Thomsen, and I. Darwazeh 83
Carrier Phase Estimation for 32-QAM Optical Systems Using Quasi-QPSK-Partitioning Algorithm	J. Feng, W. Li, J. Xiao, J. Han, H. Li, L. Huang, and Y. Zheng 75
DQPSK Directly Phase Modulated DFB for Flexible Coherent UDWDM-PONs	I. N. Cano, A. Lerín, and J. Prat 35
