

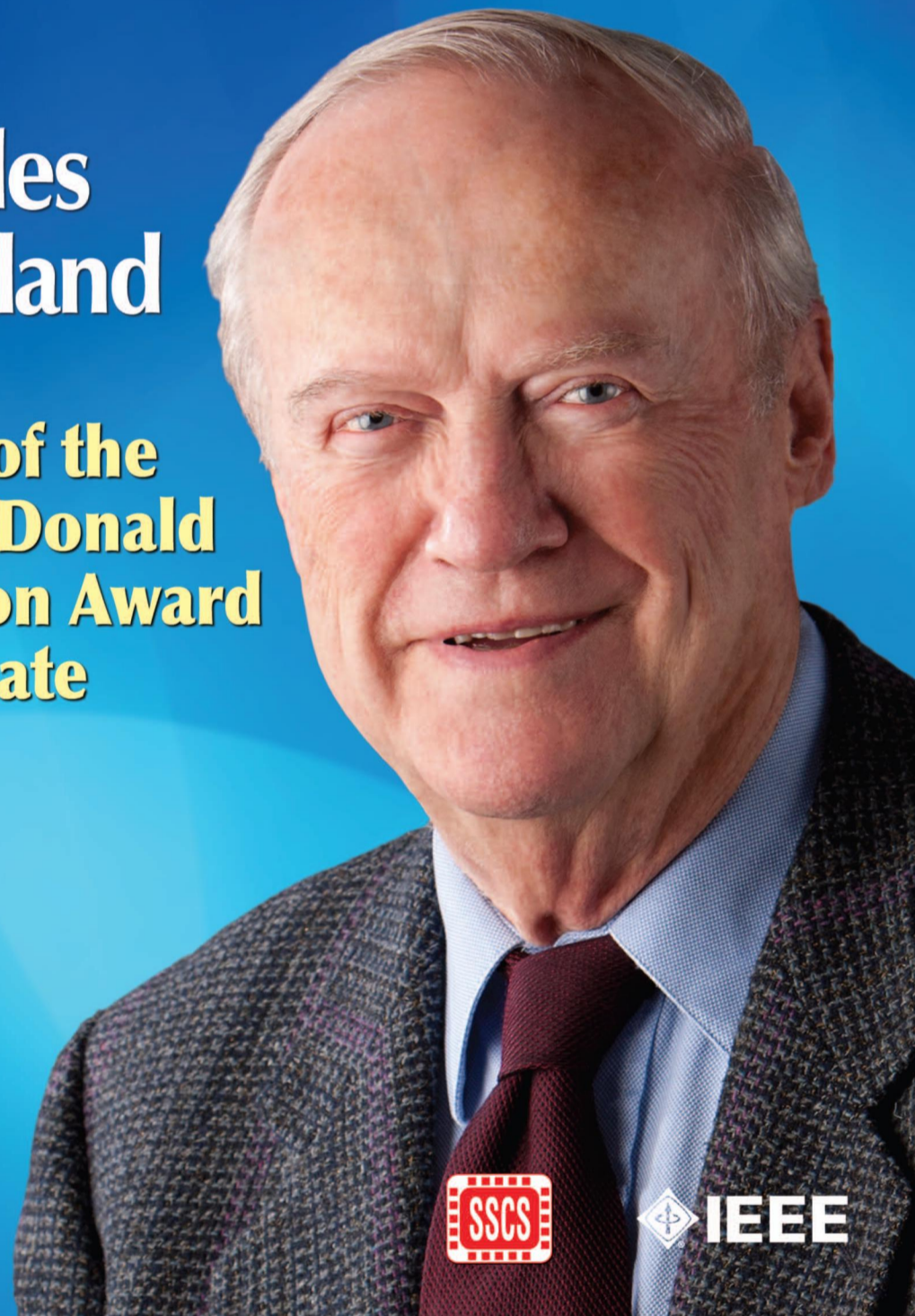
IEEE **SOLID-STATE**
CIRCUITS

MAGAZINE

WINTER 2016 • VOL. 8 • NO. 1

**Prof. Miles
A. Copeland**

**Recipient of the
2016 IEEE Donald
O. Pederson Award
in Solid-State
Circuits**



FEATURES

16 Miles A. Copeland

By John R. Long

21 Miles Copeland's Switched Capacitor

By Terry Caves

25 Miles Copeland

By Robert A. Hadaway and David L. Lynch

30 Miles A. Copeland

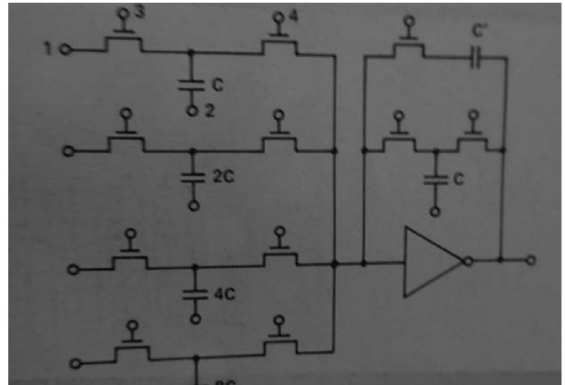
By David B. Ribner

34 Modeling Device Mismatch

By Kadaba R. (Kumar) Lakshmikummar

39 Of Miles and Oscillators

By Sorin P. Voinigescu



ABOUT THIS IMAGE:

More information about this schematic can be found in the article about Miles Copeland starting on p. 21.

44 A Technical Foundation for RF CMOS Power Amplifiers

By Earl McCune

51 Innovation of Switched-Capacitor Voltage Multiplier

By Toru Tanzawa

COLUMNS/DEPARTMENTS

- | | |
|-----------------------------|------------------------|
| 2 CONTRIBUTORS | 14 ISSCC PREVIEW |
| 3 EDITOR'S NOTE | 60 CONFERENCE REPORTS |
| 4 PRESIDENT'S CORNER | 67 CHAPTERS |
| 5 ASSOCIATE EDITOR'S VIEW | 81 SOCIETY NEWS |
| 6 CIRCUIT INTUITIONS | 86 IEEE NEWS |
| 8 A CIRCUIT FOR ALL SEASONS | 88 CONFERENCE CALENDAR |