

# IEEE TRANSACTIONS ON TRANSPORTATION ELECTRIFICATION

A PUBLICATION OF  
THE IEEE POWER ELECTRONICS SOCIETY  
THE IEEE INDUSTRY APPLICATIONS SOCIETY  
THE IEEE POWER & ENERGY SOCIETY  
THE IEEE VEHICULAR TECHNOLOGY SOCIETY



TECHNICALLY COSPONSORED BY  
THE IEEE INDUSTRIAL ELECTRONICS SOCIETY  
THE IEEE RELIABILITY SOCIETY



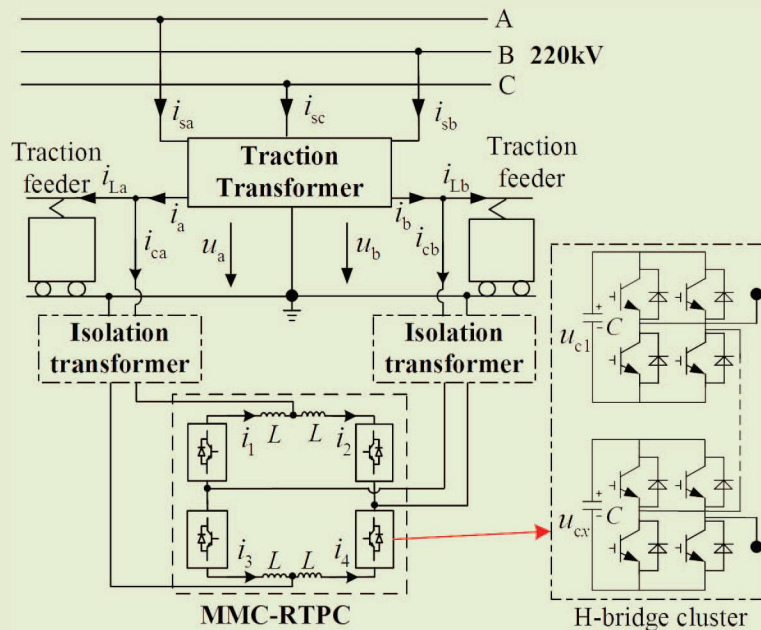
MARCH 2016

VOLUME 2

NUMBER 1

ITTEBP

(ISSN 2332-7782)



Schematic of modular multilevel converter-railway traction power conditioner (MMC-RTPC).  
(Taken from "A Railway Traction Power Conditioner Using Modular Multilevel Converter and Its Control Strategy for High-Speed Railway System" by F. Ma *et al.*, pp. 96–109.)

# IEEE TRANSACTIONS ON TRANSPORTATION ELECTRIFICATION

A PUBLICATION OF  
THE IEEE POWER ELECTRONICS SOCIETY  
THE IEEE INDUSTRY APPLICATIONS SOCIETY  
THE IEEE POWER & ENERGY SOCIETY  
THE IEEE VEHICULAR TECHNOLOGY SOCIETY



TECHNICALLY COSPONSORED BY  
THE IEEE INDUSTRIAL ELECTRONICS SOCIETY  
THE IEEE RELIABILITY SOCIETY



MARCH 2016

VOLUME 2

NUMBER 1

ITTEBP

(ISSN 2332-7782)

## PAPERS

|  |  |    |
|--|--|----|
| High-Speed Electric Machines: Challenges and Design Considerations . . . . .   | <i>S. Li, Y. Li, W. Choi, and B. Sarlioglu</i>   | 2  |
| Efficiency Improvement of a Quasi-Z-Source Inverter-Fed Permanent-Magnet Synchronous Machine-Based Electric Vehicle . . . . .            | <i>A. Battiston, E.-H. Miliani, S. Pierfederici, and F. Meibody-Tabar</i>                          | 14 |
| Influence of Inverter Modulation Strategy on Electric Drive Efficiency and Perceived Sound Quality . . . . .                             | <i>A. Andersson, D. Lennström, and A. Nykänen</i>  | 24 |
| Pareto Front of Energy Storage Size and Series HEV Fuel Economy Using Bandwidth-Based Control Strategy . . . . .                         | <i>M. Shahverdi, M. S. Mazzola, Q. Grice, and M. Doude</i>   | 36 |
| Robust Regenerative Charging Control Based on T-S Fuzzy Sliding-Mode Approach for Advanced Electric Vehicle . . . . .                    | <i>X. Zhang, Y. Wang, G. Liu, and X. Yuan</i>  | 52 |
| Dynamic Demand Control of Electric Vehicles to Support Power Grid With High Penetration Level of Renewable Energy . . . . .              | <i>H. N. T. Nguyen, C. Zhang, and J. Zhang</i>   | 66 |
| Efficiency Enhancement for Dynamic Wireless Power Transfer System With Segmented Transmitter Array . . . . .                             | <i>J. P. K. Sampath, D. M. Vilathgamuwa, and A. Alphones</i>                                       | 76 |
| Bifurcation Analysis and Stabilization of DC Power Systems for Electrified Transportation Systems . . . . .                              | <i>L.-M. Saublet, R. Gavagsaz-Ghoachani, J.-P. Martin, B. Nahid-Mobarakeh, and S. Pierfederici</i> | 86 |
| A Railway Traction Power Conditioner Using Modular Multilevel Converter and Its Control Strategy for High-Speed Railway System . . . . . | <i>F. Ma, Q. Xu, Z. He, C. Tu, Z. Shuai, A. Luo, and Y. Li</i>                                     | 96 |