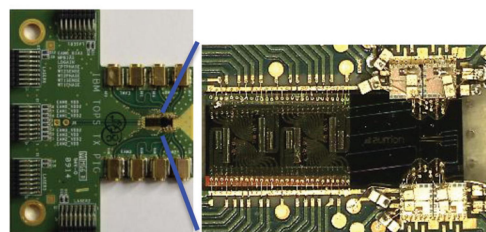
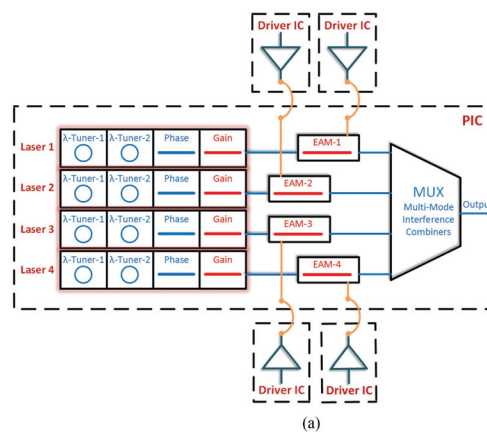


# Journal of Lightwave Technology

*This Print Collection Contains the Following Issues:*

July 1, 2016	Volume 34	Number 13	JLTEDG
July 15, 2016	Volume 34	Number 14	
August 1, 2016	Volume 34	Number 15	
August 15, 2016	Volume 34	Number 16	



For the July 1, 2016 issue, see p. 3021 for the Table of Contents.  
 For the July 15, 2016 issue, see p. 3273 for the Table of Contents.  
 For the August 1, 2016 issue, see p. 3473 for the Table of Contents.  
 For the August 15, 2016 issue, see p. 3661 for the Table of Contents.

Networks and  
Switching

Systems and  
Subsystems

Fibers and Cables

Active Components

Passive Components

Integrated Optics

Optoelectronics

Sensors

Theory

# Journal of Lightwave Technology

A JOINT IEEE / OSA PUBLICATION

AUGUST 1, 2016

VOLUME 34

NUMBER 15

JLTEDG

(ISSN 0733-8724)

## Networks

- Formal Analysis of Crosstalk Noise in Mesh-Based Optical Networks-on-Chip with WDM ..... *Y. Xie, T. Song, Z. Zhang, C. He, J. Li, and C. Xu* 3550

## Systems/Subsystems

- Modeling the Bit-Error-Rate Performance of Nonlinear Fiber-Optic Systems ..... *O. Golani, R. Dar, M. Feder, A. Mecozzi, and M. Shtaif* 3482
- Discrete Multi-Tone Transmission With Optimized QAM Constellations for Short-Reach Optical Communications ..... *S. Amiralizadeh, A. Yekani, and L. A. Rusch* 3515
- Bi-Directional Algorithm for Computing Discrete Spectral Amplitudes in the NFT ..... *S. Hari, and F. R. Kschischang* 3529
- Transmitter-Side Digital Back Propagation With Optical Injection-Locked Frequency Referenced Carriers ..... *E. Temprana, E. Myslivets, B. P.-P. Kuo, N. Alic, and S. Radic* 3544
- Widely Linear Equalization for IQ Imbalance and Skew Compensation in Optical Coherent Receivers ..... *E. P. da Silva and D. Zibar* 3577
- Standalone Microwave Photonics Doppler Shift Estimation System ..... *H. Emami, M. Hajihashemi, and S. E. Alavi* 3596
- Bi-Directional Coupler as a Mode-Division Multiplexer/Demultiplexer ..... *Hossam M. H. Shalaby* 3633

## Fibers/Cables

- Magnetic Fluid-Infiltrated Anti-Resonant Reflecting Optical Waveguide for Magnetic Field Sensing Based on Leaky Modes ..... *R. Gao, D.-F. Lu, J. Cheng, Y. Jiang, L. Jiang, J. S. Ye, and Z.-M. Qi* 3490
- Tunable Broadband Spectrum Under the Influence of Temperature in IR Region Using CS<sub>2</sub> Core Photonic Crystal Fiber ..... *G. J. Raj, R. V. J. Raja, N. Nagarajan, and G. Ramanathan* 3503
- Silicate Glass Hybrid Fiber With All-Normal Dispersion for Coherent Supercontinuum ..... *X. Li, J. Li, T. Cheng, D. Chen, S. Zheng, W. Bi, W. Gao, Y. Ohishi, L. Hu, and M. Liao* 3523
- Graphene-Based Fiber Polarizer With PVB-Enhanced Light Interaction ..... *H. Zhang, N. Healy, L. Shen, C. C. Huang, N. Aspiotis, D. W. Hewak, and A. C. Peacock* 3563

(Contents Continued on Page 3474)

JOURNAL OF LIGHTWAVE TECHNOLOGY (ISSN 0733-8724) is published semimonthly by the Institute of Electrical and Electronics Engineers, Inc. Responsibility for the contents rests upon the authors and not upon the IEEE, the Society/Council, or its members. **IEEE Corporate Office:** 3 Park Avenue, 17th Floor, New York, NY 10016-5997. **IEEE Operations Center:** 445 Hoes Lane, Piscataway, NJ 08854-4141. **NJ Telephone:** +1 732 981 0060. **Price/Publication Information:** Individual copies: IEEE Members \$20.00 (first copy only), nonmembers \$427.00 per copy. (Note: Postage and handling charge not included.) Member and nonmember subscription prices available upon request. Available in microfiche and microfilm. **Copyright and Reprint Permissions:** Abstracting is permitted with credit to the source. Libraries are permitted to photocopy for private use of patrons, provided the per-copy fee of \$31.00 is paid through the Copyright Clearance Center, 222 Rosewood Drive, Danvers, MA 01923. For all other copying, reprint, or republication permission, write to Copyrights and Permissions Department, IEEE Publications Administration, 445 Hoes Lane, Piscataway, NJ 08854-4141. Copyright © 2016 by the Institute of Electrical and Electronics Engineers, Inc. All rights reserved. **Postmaster:** Send address changes to JOURNAL OF LIGHTWAVE TECHNOLOGY, IEEE, 445 Hoes Lane, Piscataway, NJ 08854-4141. GST Registration No. 125634188. CPC Sales Agreement #40013087. Return undeliverable Canada addresses to: Pitney Bowes IMEX, P.O. Box 4332, Stanton Rd., Toronto, ON M5W 3J4, Canada. IEEE prohibits discrimination, harassment and bullying. For more information visit <http://www.ieee.org/nondiscrimination>. Printed in U.S.A.

---

Loss Cause Identification by Evaluating Backscattered Modal Loss Ratio Obtained With 1- $\mu\text{m}$ -Band Mode-Detection OTDR . . . . .	<i>A. Nakamura, K. Okamoto, Y. Koshikiya, T. Manabe, M. Oguma, T. Hashimoto, and M. Itoh</i>	3568
Fiber Fuse Propagation Characteristics of LP <sub>01</sub> and LP <sub>11</sub> Modes in Few-Mode Fiber . . . . .	<i>N. Hanzawa, K. Tsujikawa, K. Kurokawa, S. Nozoe, T. Matsui, and F. Yamamoto</i>	3628
<b>Integrated Optics/Optoelectronics</b>		
Optimization of One Dimensional Photonic Crystal Elliptical-Hole Low-Index Mode Nanobeam Cavities for On-Chip Sensing . . . . .	<i>L. Huang, J. Zhou, F. Sun, Z. Fu, and H. Tian</i>	3496
Numerical Analysis of a Multi-Function Photonic Integrated Circuit for Coherent Radio-Over-Fiber . . . . .	<i>N. Nabavi, R. Maldonado-Basilio, and T. J. Hall</i>	3538
Femtosecond Laser Writing of Optical-Lattice-Like Cladding Structures for Three-Dimensional Waveguide Beam Splitters in LiNbO <sub>3</sub> Crystal . . . . .	<i>J. Lv, Y. Cheng, J. R. V. de Aldana, X. Hao, and F. Chen</i>	3587
A Low-Loss and Broadband MMI-Based Multi/Demultiplexer in Si <sub>3</sub> N <sub>4</sub> /SiO <sub>2</sub> Technology . . . . .	<i>J. Mu, S. A. Vázquez-Córdova, M. A. Sefunc, Y.-S. Yong, and S. M. García-Blanco</i>	3603
System Robust Optimization of Ring Resonator-Based Optical Filters . . . . .	<i>S. U. Rehman and M. Langelaar</i>	3653
<b>Sensors</b>		
In-Fiber Mach–Zehnder Interferometer Based on Up-Taper Fiber Structure With Er <sup>3+</sup> Doped Fiber Ring Laser . . . . .	<i>Y. Zhao, L. Cai, and X.-G. Li</i>	3475
Non-Markovian Property of Afterpulsing Effect in Single-Photon Avalanche Detector . . . . .	<i>F.-X. Wang, W. Chen, Y.-P. Li, D.-Y. He, C. Wang, Y.-G. Han, S. Wang, Z.-Q. Yin, and Z.-F. Han</i>	3610
Raman Enhancement in Metal-Cladding Waveguide and the Influence of the Metal Film Surface Roughness . . . . .	<i>Y. Wang, M. Huang, K. Wang, X. Liu, Y. Zou, B. Song, and J. Chen</i>	3616
Simultaneous Detection of Multiple Fiber-Optic Fabry–Perot Interferometry Sensors With Cepstrum-Division Multiplexing . . . . .	<i>Daniele Tosi</i>	3622
Hydrogel-Terminated Photonic Crystal for Label-Free Detection of Angiopoietin-1 . . . . .	<i>F. Frascella, C. Petri, S. Ricciardi, L. Napione, P. Munzert, U. Jonas, J. Dostalek, F. Bussolino, C. F. Pirri, and E. Descrovi</i>	3641
<b>Theory</b>		
All-Polarization Maintaining Passively Mode-Locked Fiber Laser Using Evanescent Field Interaction With Single-Walled Carbon Nanotube Saturable Absorber . . . . .	<i>H. Jeong, S. Young Choi, F. Rotermund, K. Lee, and D.-I. Yeom</i>	3510
30-km Error-Free Transmission of Directly Modulated DFB Laser Array Transmitter Optical Sub-Assembly for 100-Gb Application . . . . .	<i>S. Kanazawa, W. Kobayashi, Y. Ueda, T. Fujisawa, K. Takahata, T. Ohno, T. Yoshimatsu, H. Ishii, and H. Sanjoh</i>	3646
<hr/> COMMENTS AND CORRECTIONS		
Corrections to “Investigation Into Optical Performance of Fiber Connections With Imperfect Physical Contact” . . . . .	<i>M. Kihara and H. Watanabe</i>	3592

---