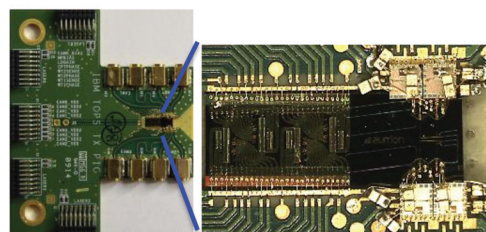
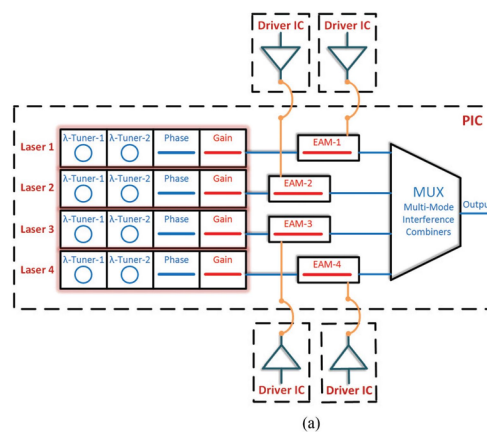


*Journal of*

# Lightwave Technology

*This Print Collection Contains the Following Issues:*

July 1, 2016	Volume 34	Number 13	JLTEDG
July 15, 2016	Volume 34	Number 14	
August 1, 2016	Volume 34	Number 15	
August 15, 2016	Volume 34	Number 16	



For the July 1, 2016 issue, see p. 3021 for the Table of Contents.  
 For the July 15, 2016 issue, see p. 3273 for the Table of Contents.  
 For the August 1, 2016 issue, see p. 3473 for the Table of Contents.  
 For the August 15, 2016 issue, see p. 3661 for the Table of Contents.

Networks and  
Switching

Systems and  
Subsystems

Fibers and Cables

Active Components

Passive Components

Integrated Optics

Optoelectronics

Sensors

Theory

# Journal of Lightwave Technology

A JOINT IEEE / OSA PUBLICATION

AUGUST 15, 2016

VOLUME 34

NUMBER 16

JLTEDG

(ISSN 0733-8724)

## Networks

- Incentive-Driven Bidding Strategy for Brokers to Compete for Service Provisioning Tasks in Multi-Domain SD-EONs . . . . . *X. Chen, Z. Zhu, L. Sun, J. Yin, S. Zhu, A. Castro, and S. J. B. Yoo* 3867
- Budget-Optimized Network-Aware Joint Resource Allocation in Grids/Clouds Over Optical Networks . . . . . *P. Yi, H. Ding, and B. Ramamurthy* 3890

## Systems/Subsystems

- Study of Multicode-Keying Incoherent Optical CDMA Without the Conventional Symbol-Synchronous Assumption . . . . . *J.-S. Lin, G.-C. Yang, C.-Y. Chang, and W. C. Kwong* 3663
- Chip-Scale Silicon Photonic Interconnects: A Formal Study on Fabrication Non-Uniformity . . . . . *M. Nikdast, G. Nicolescu, J. Trajkovic, and O. Liboiron-Ladouceur* 3682
- Experimental Verification of Relative Phase Noise in Raman Amplified Coherent Optical Communication System . . . . . *L. Xu, J. Cheng, M. Tang, J. Wu, S. Fu, P. P. Shum, and D. Liu* 3711
- FOFDM Based on Discrete Cosine Transform for Intensity-Modulated and Direct-Detected Systems . . . . . *J. Zhou, Y. Qiao, T. Zhang, E. Sun, M. Guo, Z. Zhang, X. Tang, and F. Xu* 3717
- New Model for Mode Partition Noise in VCSEL-MMF Links Based on Langevin-Driven Spatio-Temporal Rate Equations . . . . . *S. K. Pavan, J. Lavrencik, and S. E. Ralph* 3733
- Stage-Dependent DSP Operation Range Clipping-Induced Bit Resolution Reductions of Full Parallel 64-Point FFTs Incorporated in FPGA-Based Optical OFDM Receivers . . . . . *J. Zhang, Z. Tang, R. Giddings, Q. Wu, W. Wang, B. Cao, Q. Zhang, and J. M. Tang* 3752
- A 12-m 2.5-Gb/s Lighting Compatible Integrated Receiver for OOK Visible Light Communication Links . . . . . *B. Fahs, A. J. Chowdhury, and M. M. Hella* 3768
- 25-Gb/s OOK Transmission Using 1.5- $\mu\text{m}$  10G-Class VCSEL for Optical Access Network . . . . . *J. Zhou, C. Yu, G. Mohan, and H. Kim* 3790
- Low-Cost MIMO Radio Over Fiber System for Multiservice DAS Using Double Sideband Frequency Translation . . . . . *Y. Yang, M. J. Crisp, R. V. Penty, and I. H. White* 3818
- Investigation of 60 Gb/s 4-PAM Using an 850 nm VCSEL and Multimode Fiber . . . . . *J. M. Castro, R. Pimpinella, B. Kose, P. Huang, B. Lane, K. Szczerba, P. Westbergh, T. Lengyel, J. S. Gustavsson, A. Larsson, and P. A. Andrekson* 3825

(Contents Continued on Page 3662)

JOURNAL OF LIGHTWAVE TECHNOLOGY (ISSN 0733-8724) is published semimonthly by the Institute of Electrical and Electronics Engineers, Inc. Responsibility for the contents rests upon the authors and not upon the IEEE, the Society/Council, or its members. **IEEE Corporate Office:** 3 Park Avenue, 17th Floor, New York, NY 10016-5997. **IEEE Operations Center:** 445 Hoes Lane, Piscataway, NJ 08854-4141. **NJ Telephone:** +1 732 981 0060. **Price/Publication Information:** Individual copies: IEEE Members \$20.00 (first copy only), nonmembers \$427.00 per copy. (Note: Postage and handling charge not included.) Member and nonmember subscription prices available upon request. Available in microfiche and microfilm. **Copyright and Reprint Permissions:** Abstracting is permitted with credit to the source. Libraries are permitted to photocopy for private use of patrons, provided the per-copy fee of \$31.00 is paid through the Copyright Clearance Center, 222 Rosewood Drive, Danvers, MA 01923. For all other copying, reprint, or republication permission, write to Copyrights and Permissions Department, IEEE Publications Administration, 445 Hoes Lane, Piscataway, NJ 08854-4141. Copyright © 2016 by the Institute of Electrical and Electronics Engineers, Inc. All rights reserved. **Postmaster:** Send address changes to JOURNAL OF LIGHTWAVE TECHNOLOGY, IEEE, 445 Hoes Lane, Piscataway, NJ 08854-4141. GST Registration No. 125634188. CPC Sales Agreement #40013087. Return undeliverable Canada addresses to: Pitney Bowes IMEX, P.O. Box 4332, Stanton Rd., Toronto, ON M5W 3J4, Canada. IEEE prohibits discrimination, harassment and bullying. For more information visit <http://www.ieee.org/nondiscrimination>. Printed in U.S.A.

---

Subcarrier Multiplexing RF Plans for Analog Radio Over Fiber in Heterogeneous Networks . . . . .	3859
. . . . . <i>L. Giorgi, G. Bruno, J. Nijhof, P. J. Urban, G. Vall-Ilosera, F. Ponzini, and J. Ladvánszky</i>	
A Shaping Algorithm for Mitigating Inter-Channel Nonlinear Phase-Noise in Nonlinear Fiber Systems . . . . .	3884
. . . . . <i>O. Geller, R. Dar, M. Feder, and M. Shtaif</i>	
Robust Laser Phase Noise Reduction by Tracking Frequency Discrimination Change of Interferometer . . . . .	3908
. . . . . <i>T. Okamoto, K. Toge, and T. Manabe</i>	
Continuous Control of Random Polarization Rotations for Quantum Communications . . . . .	3914
. . . . . <i>Á. J. Almeida, N. J. Muga, N. A. Silva, J. M. Prata, P. S. André, and A. N. Pinto</i>	
Photonic True-Time Delay Beamforming Using a Switch-Controlled Wavelength-Dependent Recirculating Loop . . . . .	3923
. . . . . <i>J. Zhang and J. Yao</i>	
Multi-User Sum-Rate Optimization for Visible Light Communications With Lighting Constraints . . . . .	3943
. . . . . <i>R. Jiang, Z. Wang, Q. Wang, and L. Dai</i>	
<b>Fibers/Cables</b>	
FBG Incorporated Side-Open Fabry–Perot Cavity for Simultaneous Gas Pressure and Temperature Measurements . . . . .	3761
. . . . . <i>S. Wu, G. Yan, C. Wang, Z. Lian, X. Chen, and S. He</i>	
Chemical Wet Etching of an Optical Fiber Using a Hydrogen Fluoride-Free Solution for a Saturable Absorber Based on the Evanescent Field Interaction . . . . .	3776
. . . . . <i>S. Ko, J. Lee, J. Koo, B. S. Joo, M. Gu, and J. H. Lee</i>	
Encircled Angular Flux: A New Measurement Metric for Radiating Modal Power Distributions from Step-Index Multimode Fibers . . . . .	3803
. . . . . <i>S. Kobayashi and O. Sugihara</i>	
Modal Excitations in Fully and Partially Ethanol-Filled Photonic Bandgap Fibers and Their Applications as Fiber Sensors . . . . .	3853
. . . . . <i>B. Dong, Z. Shen, C. Yu, and Y. Wang</i>	
Investigation of Gain Dependent Relative Intensity Noise in Fiber Brillouin Amplification . . . . .	3930
. . . . . <i>M. Choi, I. C. Mayorga, S. Preußler, and T. Schneider</i>	
<b>Integrated Optics/Optoelectronics</b>	
Silicon Microring Modulator for Dispersion Uncompensated Transmission Applications . . . . .	3675
. . . . . <i>Z. Wang, Y. Gao, A. S. Kashi, J. C. Cartledge, and A. P. Knights</i>	
Parameter Space Exploration in Dispersion Engineering of Multilayer Silicon Waveguides from Near-Infrared to Mid-Infrared . . . . .	3696
. . . . . <i>Z. Jafari, L. Zhang, A. M. Agarwal, L. C. Kimerling, J. Michel, and A. Zarifkar</i>	
Novel Plasmonic Data Storage Based on Nematic Liquid Crystal Layers . . . . .	3726
. . . . . <i>M. A. El-Rabiaey, N. F. F. Areed, and S. S. A. Obayya</i>	
Optical Modulator With a Near-Linear Field Response . . . . .	3796
. . . . . <i>H. Yamazaki, H. Takahashi, T. Goh, Y. Hashizume, T. Yamada, S. Mino, H. Kawakami, and Y. Miyamoto</i>	
Re-Analysis of Single-Mode Conditions for Silicon Rib Waveguides at 1550 nm Wavelength . . . . .	3811
. . . . . <i>H. Huang, K. Liu, B. Qi, and V. J. Sorger</i>	
Design of Mid-Infrared Electro-Optic Modulators Based on Aluminum Nitride Waveguides . . . . .	3837
. . . . . <i>S. Liu, K. Xu, Q. Song, Z. Cheng, and H. K. Tsang</i>	
High Degree Picosecond Pulse Compression in Chalcogenide-Silicon Slot Waveguide Taper . . . . .	3843
. . . . . <i>C. Mei, F. Li, J. Yuan, Z. Kang, X. Zhang, K. Wang, X. Sang, Q. Wu, B. Yan, X. Zhou, L. Wang, C. Yu, and P. K. A. Wai</i>	
Nonreciprocal Phase Shift and Mode Modulation in Dynamic Graphene Waveguides . . . . .	3877
. . . . . <i>C. Qin, B. Wang, H. Long, K. Wang, and P. Lu</i>	
Losses of Slot Mode Devices . . . . .	3901
. . . . . <i>M. Salih, K. Janani, X. Chen, E. Jacobson, S. Gautam, and A. Mickelson</i>	
Dynamically Tunable Graphene Plasmon-Induced Transparency in the Terahertz Region . . . . .	3937
. . . . . <i>G. Yao, F. Ling, J. Yue, Q. Luo, and J. Yao</i>	
<b>Sensors</b>	
A Continuous Wavelet Transform Based Time Delay Estimation Method for Long Range Fiber Interferometric Vibration Sensor . . . . .	3785
. . . . . <i>C. Ma, T. Liu, K. Liu, J. Jiang, Z. Ding, X. Huang, L. Pan, M. Tian, and Z. Li</i>	
<b>Theory</b>	
Beam Combining of SOA-Based Bidirectional Tunable Fiber Nested Ring Lasers With Continuous Tunability Over the C-band at Room Temperature . . . . .	3703
. . . . . <i>M. A. Ummy, S. Bikorimana, N. Madamopoulos, and R. Dorsinville</i>	
<hr/>	
ANNOUNCEMENTS	
2017 IEEE 44th Photovoltaic Specialists Conference Save the Date . . . . .	3953
2016 IEEE EDS Early Career Award . . . . .	3954
2016 47th IEEE Semiconductor Interface Specialists Conference (SISC) . . . . .	3955

---